

# Technical data sheet



## Product features

### Food display island heated, dry tub GN 4-1/1 Wenge

<b>Model</b>	<b>SAP Code</b>	00012159
--------------	-----------------	----------



- Buffet type: ORANGE - heated, dry
- Device properties: Warmed
- Number of GN / EN: 4
- GN / EN size in device: GN 1/1
- GN device depth: 200
- Minimum device temperature [°C]: 90
- Maximum device temperature [°C]: 125

<b>SAP Code</b>	00012159	<b>Loading</b>	230 V / 1N - 50 Hz
<b>Net Width [mm]</b>	1494	<b>Number of GN / EN</b>	4
<b>Net Depth [mm]</b>	650	<b>GN / EN size in device</b>	GN 1/1
<b>Net Height [mm]</b>	1288	<b>GN device depth</b>	200
<b>Net Weight [kg]</b>	94.00	<b>Minimum device temperature [°C]</b>	90
<b>Power electric [kW]</b>	2.000	<b>Maximum device temperature [°C]</b>	125

# Technical data sheet



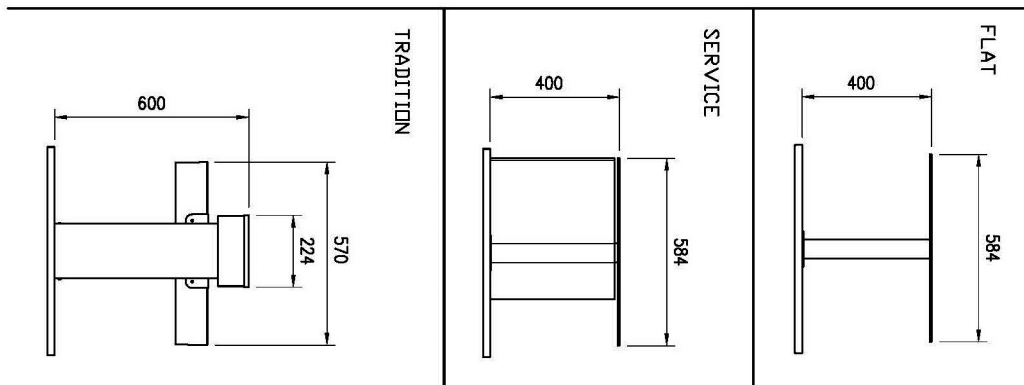
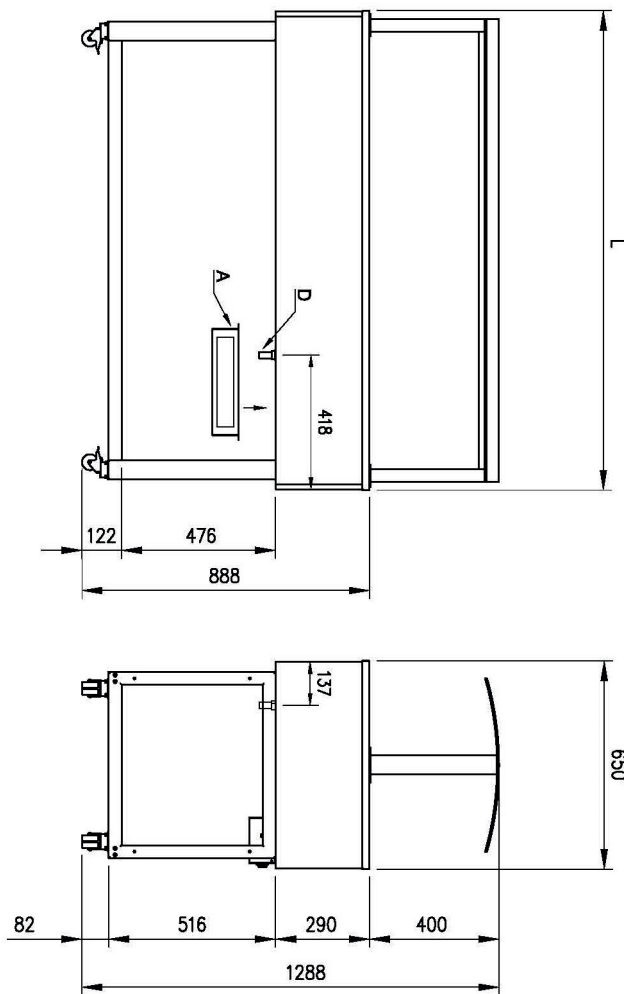
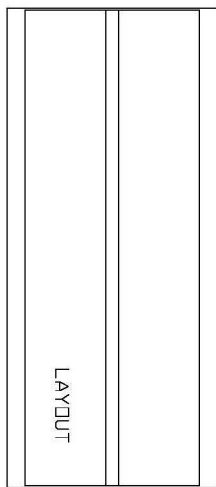
Technical drawing

Food display island heated, dry tub GN 4-1/1 Wenge

<b>Model</b>	<b>SAP Code</b>	00012159
--------------	-----------------	----------

A= ELECTRICAL CONNECTION  
D= WATER DISCHARGE ø14

GN	L
3/1	1159
4/1	1494
6/1	2144



# Technical data sheet



## Product benefits

### Food display island heated, dry tub GN 4-1/1 Wenge

Model

SAP Code

00012159

1

#### One large bathtub

one controller for the whole tub

- very easy to use
- easy maintenance

2

#### GN insertion up to 200mm

variability of use

- possibility of heating different types of food and larger volumes
- saving time, space, costs

3

#### Rounded corners

basins without sharp edges and corners

- higher hygienic safety
- time saving due to easy cleaning

4

#### All-stainless steel construction

harmless to health for contact with food  
robustness

- long service life
- very easy to clean

5

#### Halogen lighting

heating from above

- more even heating of food
- greater hygienic safety

6

#### Travel wheels

portable buffet table

- greater flexibility in dispensing
- possibility of use at banquets
- easier and safer handling

7

#### Breath galley

galerka made of hygienic Plexiglas with motorized displacement

- hygienic food protection
- heating and lighting of food from above

# Technical data sheet



## Technical parameters

### Food display island heated, dry tub GN 4-1/1 Wenge

<b>Model</b>	<b>SAP Code</b>	00012159
--------------	-----------------	----------

**1. SAP Code:**

00012159

**2. Net Width [mm]:**

1494

**3. Net Depth [mm]:**

650

**4. Net Height [mm]:**

1288

**5. Net Weight [kg]:**

94.00

**6. Gross Width [mm]:**

1530

**7. Gross depth [mm]:**

750

**8. Gross Height [mm]:**

1100

**9. Gross Weight [kg]:**

106.20

**10. Device type:**

Electric unit

**11. Buffet type:**

ORANGE - heated, dry

**12. Device properties:**

Warmed

**13. Device color:**

Hemlock

**14. Power electric [kW]:**

2.000

**15. Loading:**

230 V / 1N - 50 Hz

**16. Number of GN / EN:**

4

**17. GN / EN size in device:**

GN 1/1

**18. GN device depth:**

200

**19. Minimum device temperature [°C]:**

90

**20. Maximum device temperature [°C]:**

125